

SFERA

L'evoluzione di una forma intramontabile: comoda, versatile, ricca di accessori e declinata in tutte le varianti, inclusa la panca, per arredare spazi conferenza e studio.

The evolution of a timeless form: comfortable, versatile, with a wide range of accessories and different versions including bench version, for furnishing studio and conference areas.



Colori plastiche
Plastic colours



Colori telaio
Frame colours





accessori accessories

Tavoletta scrittoio antipanico in polipropilene
Antipanic tablet arm in polypropylene



Cestino portariviste
Newspaper rack



Aggancio sedute
Linking device



Carrello
Trolley





SF4T2RG

Schienale e sedile in polipropilene.
Braccioli in tondino di acciaio e top in polipropilene.
Telaio 4 gambe in tubolare di acciaio.
Piedini fissi in materiale plastico.

Backrest and seat are made of polypropylene.
Armrests made of steel with circular cross-section. The top of armrest is made of polypropylene.
4-leg **structure** made of tubular steel.
Little fixed feet made of plastic.



SF4T9NG

Schienale e sedile in polipropilene.
Braccioli in tondino di acciaio e top in polipropilene.
Telaio a slitta in tubolare di acciaio ad alta resistenza.

Backrest and seat are made of polypropylene.
Armrests made of steel with circular cross-section. The top of armrest is made of polypropylene.
Sled-shaped **structure** made of high-strength tubular steel.



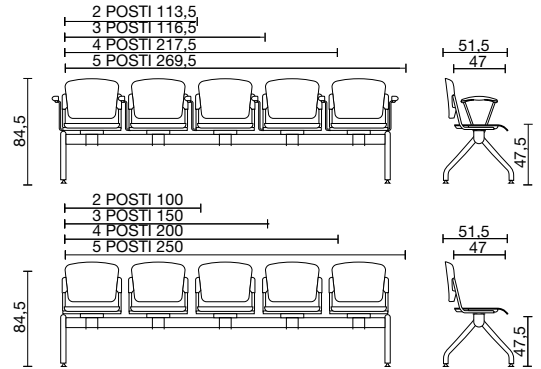
SF4T11PG

Schienale e sedile in polipropilene.
Braccioli in tondino di acciaio e top in polipropilene.
Telaio in tubolare di acciaio.
Piastra fissa girevole.
Gas: sistema di regolazione altezza sedile tramite alzata a gas.
Base 5 razze in nylon
Ruote piroettanti a doppio battistrada.

Backrest and seat are made of polypropylene.
Armrests made of steel with circular cross-section. The top of armrest is made of polypropylene.
Structure made of tubular steel.
Revolving fixed **plate**.
Gas: height-adjustment system by gas lift.
5-spoke **base** made of nylon.
Pirouetting **castors** with double tread.



SF44PG



Schienale e sedile in polipropilene.
Braccioli in tondino di acciaio e top in polipropilene.
Telaio in tubolare di acciaio.
Trave in tubolare di acciaio a sezione rettangolare 40x80 mm.
Gambe in tubolare di acciaio a sezione circolare con piedini regolabili.

Backrest and seat are made of polypropylene.
Armrests made of steel with circular cross-section. The top of armrest is made of polypropylene.
Structure made of tubular steel.
Tubular steel **beam:** rectangular cross-section 40x80 mm
Tubular steel **legs:** circular cross-section legs with adjustable little feet.

OPTIONAL



Agganci
Linking device



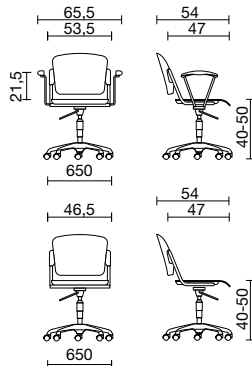
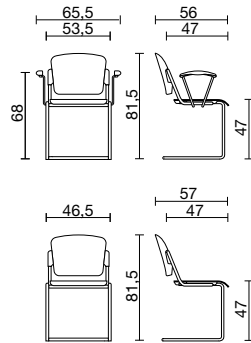
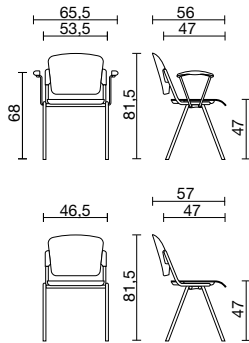
Carrello
Trolley



Cestino porta riviste
Basket



Tavoletta scrittoio antipatico in polipropilene sinistro e destro
Polypropylene antipanic writing tablet, left and right



FINITURE TELAIO FRAME FINISHES



COLORI COLOURS



SFERA upholstered version

SEDUTE COLLETTIVITÀ
COMMUNITY SEATING



SF0T2G



SF0T9N



SF0T6G



SF03NT

Sedile e schienale in polipropilene. Pannello sedile e schienale in polipropilene di supporto imbottitura.

Imbottitura in poliuretano espanso.

Braccioli in tondino di acciaio e top in polipropilene.

Telaio 4 gambe in tubolare di acciaio.

Piedini fissi in materiale plastico.

Backrest and seat made of polypropylene. Support structure of padding made of polypropylene.

Padding made of foamed polyurethane.

Armrests made of steel with circular cross-section. The top of armrest is made of polypropylene. 4-leg **structure** made of tubular steel.

Little fixed feet made of plastic.

Sedile e schienale in polipropilene. Pannello sedile e schienale in polipropilene di supporto imbottitura.

Imbottitura in poliuretano espanso.

Braccioli in tondino di acciaio e top in polipropilene.

Telaio a slitta in tubolare di acciaio ad alta resistenza.

Backrest and seat made of polypropylene. Support structure of padding made of polypropylene.

Padding made of foamed polyurethane.

Armrests made of steel with circular cross-section. The top of armrest is made of polypropylene. Sled-shaped structure made of high-strength tubular steel.

Sedile e schienale in polipropilene. Pannello sedile e schienale in polipropilene di supporto imbottitura.

Imbottitura in poliuretano espanso.

Braccioli in tondino di acciaio e top in polipropilene.

Telaio in tubolare di acciaio.

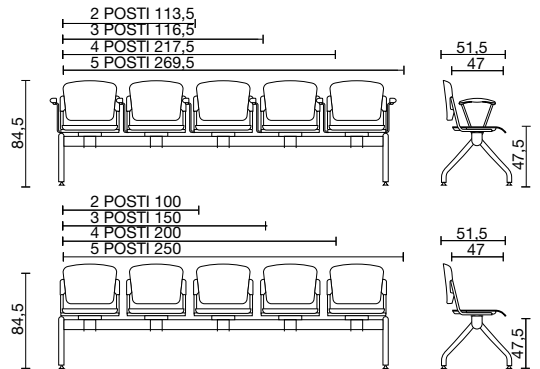
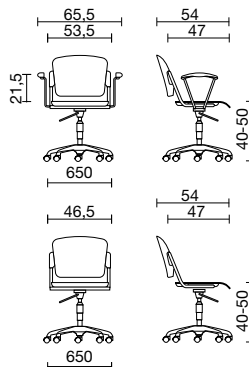
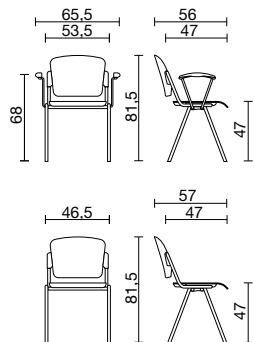
Piastra fissa girevole. **Gas:** sistema di regolazione altezza sedile tramite alzata a gas. **Base** 5 razze in nylon. **Ruote** piroettanti a doppio battistrada.

Backrest and seat made of polypropylene. Support structure of padding made of polypropylene.

Padding made of foamed polyurethane.

Armrests made of steel with circular cross-section. The top of armrest is made of polypropylene.

Structure made of tubular steel. **Revolving fixed plate.** **Gas:** height-adjustment system by gas lift. 5-spoke **base** made of nylon. **Pivoting castors** with double tread.



Sedile e schienale in polipropilene. Pannello sedile e schienale in polipropilene di supporto imbottitura.

Imbottitura in poliuretano espanso.

Braccioli in tondino di acciaio e top in polipropilene.

Telaio in tubolare di acciaio.

Trave in tubolare di acciaio a sezione rettangolare 40x80 mm. **Gambe** in tubolare di acciaio a sezione circolare con piedini regolabili.

Backrest and seat made of polypropylene. Support structure of padding made of polypropylene.

Padding made of foamed polyurethane.

Armrests made of steel with circular cross-section. The top of armrest is made of polypropylene.

Structure made of tubular steel. **Tubular steel beam:** rectangular cross-section 40x80 mm. **Tubular steel legs:** circular cross-section legs with adjustable little feet.

OPTIONAL



Tavolino
Small table



Gamba panca con forma a "T"
T-shaped legs



Bracciolo singolo
Single armrest



Tavoletta scrittoio antipanic
in polipropilene sinistro e destro
Polypropylene antipanic writing
tablet, left and right

OMOLOGAZIONI / APPROVALS

☛ a richiesta / on request
Omologazione Classe 1IM

☛ a richiesta / on request
Omologazione Classe 1IM

☛ a richiesta / on request
Omologazione Classe 1IM

☛ a richiesta / on request
Omologazione Classe 1IM

FINITURE TELAIO FRAME FINISHES



Verniciato grigio
Grey painted



Verniciato nero
Black painted



Cromato / Chromed